



[I-21/174/2024-W&M Section]  
GOVERNMENT OF INDIA/भारत सरकार  
MINISTRY OF CONSUMER AFFAIRS, FOOD AND PUBLIC DISTRIBUTION  
उपभोक्ता मामले, खाद्य एवं सार्वजनिक वितरण मंत्रालय  
DEPARTMENT OF CONSUMER AFFAIRS/ उपभोक्ता मामले विभाग  
LEGAL METROLOGY DIVISION/ विधिक मापविज्ञान प्रभाग

Krishi Bhawan/कृषि भवन, नई दिल्ली  
Dated/दिनांक:- 27. 06..2024

Certificate of Approval of Model/ मॉडल का अनुमोदन प्रमाणपत्र

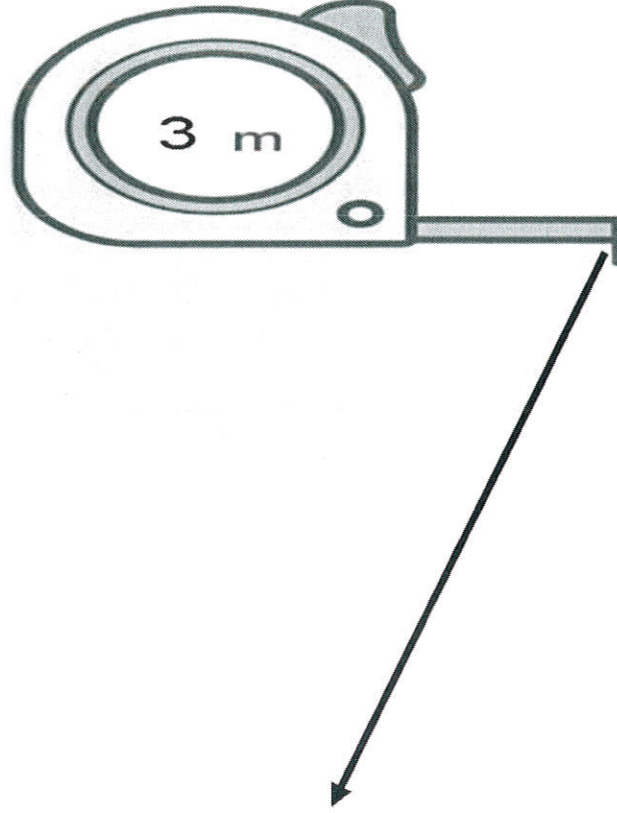
Whereas the Central Government, after considering the report submitted to it by prescribed authority, is satisfied that the model described in the said report (see the figure given below) is in conformity with the provisions of the Legal Metrology Act, 2009 (1 of 2010) and the Legal Metrology (Approval of Models) Rules, 2011 and the said model is likely to maintain its accuracy over periods of sustained use and to render accurate service under varied conditions;

Now, therefore, in exercise of the powers conferred by section 22 of the Legal Metrology Act, 2009 (1 of 2010) read with sub-rule (6) of rule 8 and sub-rule (4) of rule 11 of the Legal Metrology (Approval of Models) Rules, 2011, as per Schedule Sixth of the Legal Metrology (General) Rules, the Central Government hereby issues the certificate of approval of steel tape measures of accuracy class-II of series "SI-3" and with brand name "INDEED-3" (hereafter in referred to as the said model) manufactured by M/s Midas Touch Metalloys Private Limited, Killa No.-31//1/1/1 & 32//2/1/2, Vill- Nathupur Industrial Area, Rai, Sonipat-131029, Haryana and which is assigned the approval mark IND/09/24/ 289 (the picture of the model is given below as Figure 1);

The said model is a steel tape measure which is used for the measurement of length where the use of rigid length measures is not convenient or practicable. The maximum length is 3m and the value of graduation is 1mm. The results of measurements are indicated by graduation lines on the steel tape.

Figure 1





Metal Strip for providing verification stamp

Figure 2

The stamp of verification is affixed on the metal strip provided at the beginning of the tape measure as shown in the figure above.

Further, in the exercise of the power conferred by sub-rule (9) of rule 8 of the Legal Metrology (Approval of Models) Rules, 2011, the Central Government hereby declares that this certificate of approval of the said Model shall also cover the steel tape measures of similar make, accuracy and performance of same series with nominal lengths up to 3m manufactured by the same manufacturer in accordance with the same principle, design and with the same materials with which, the said approved Model has been manufactured.

[F.No. I-21/174/2024-W&M Section]

*Ashutosh Agarwal*

(Ashutosh Agarwal/आशुतोष अग्रवाल)

Director (Legal Metrology) to Govt. of India/ निदेशक (विधिक माप विज्ञान) भारत सरकार

Phone/दूरभाष 01123389489

Email/ई-मेल: [dirwm-ca@nic.in](mailto:dirwm-ca@nic.in)

Online Application No. 18592